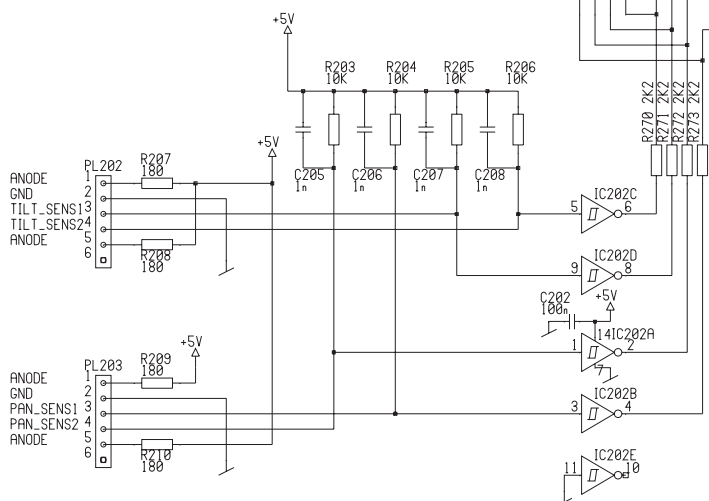
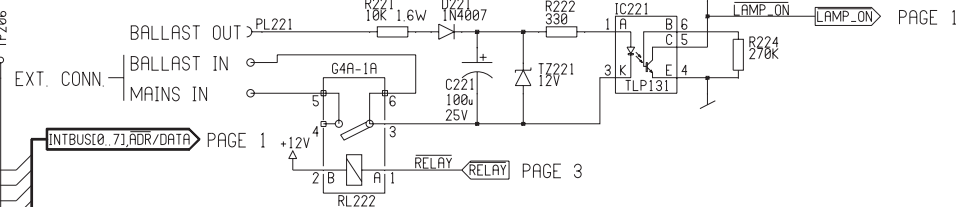
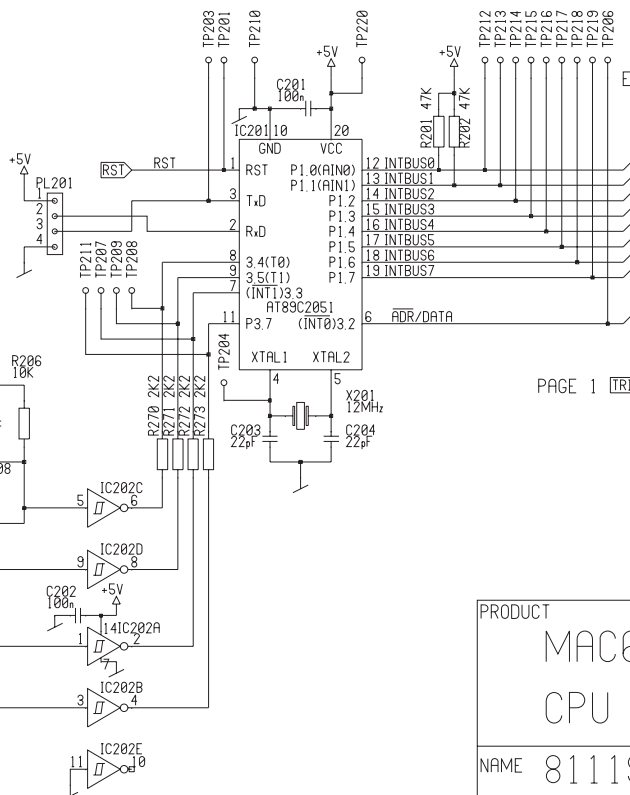
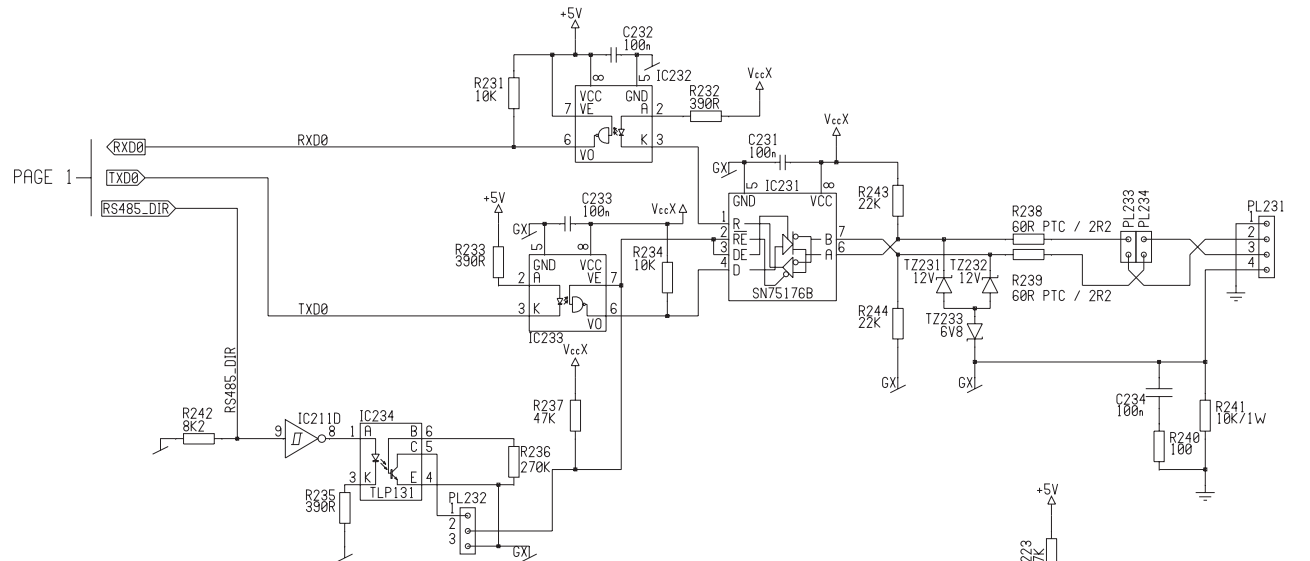
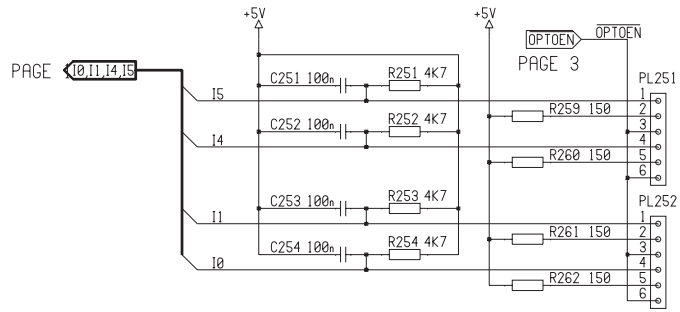
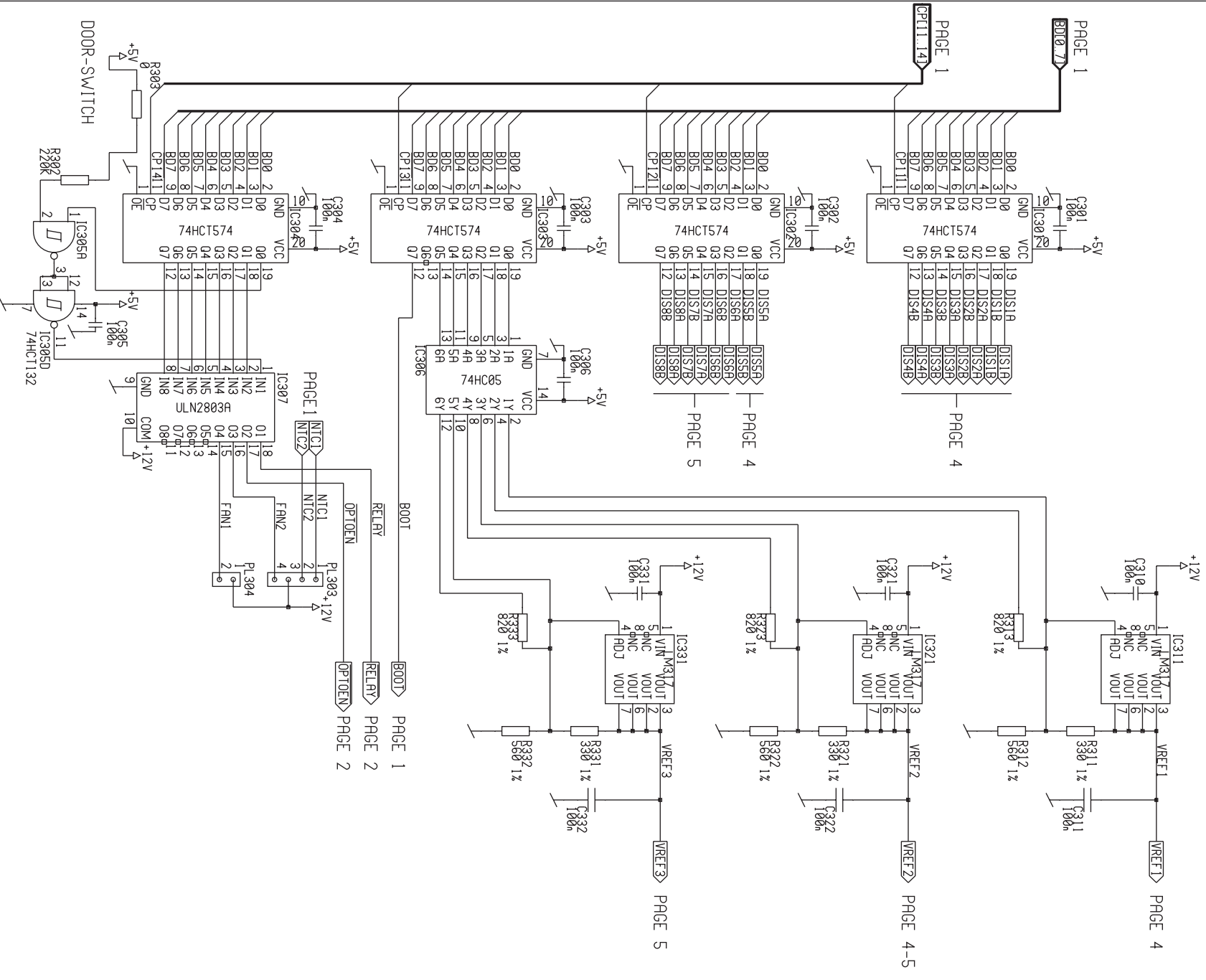


PRODUCT		ENG.	
MAC600		Martin Professional A/S	
CPU BOARD		REVISION REV	PAGE 1 OF 6
NAME		DRAWN BY BH	
811192A0.SCH / 101192A.PCB		DATE 15/4/97	TIME 11:30

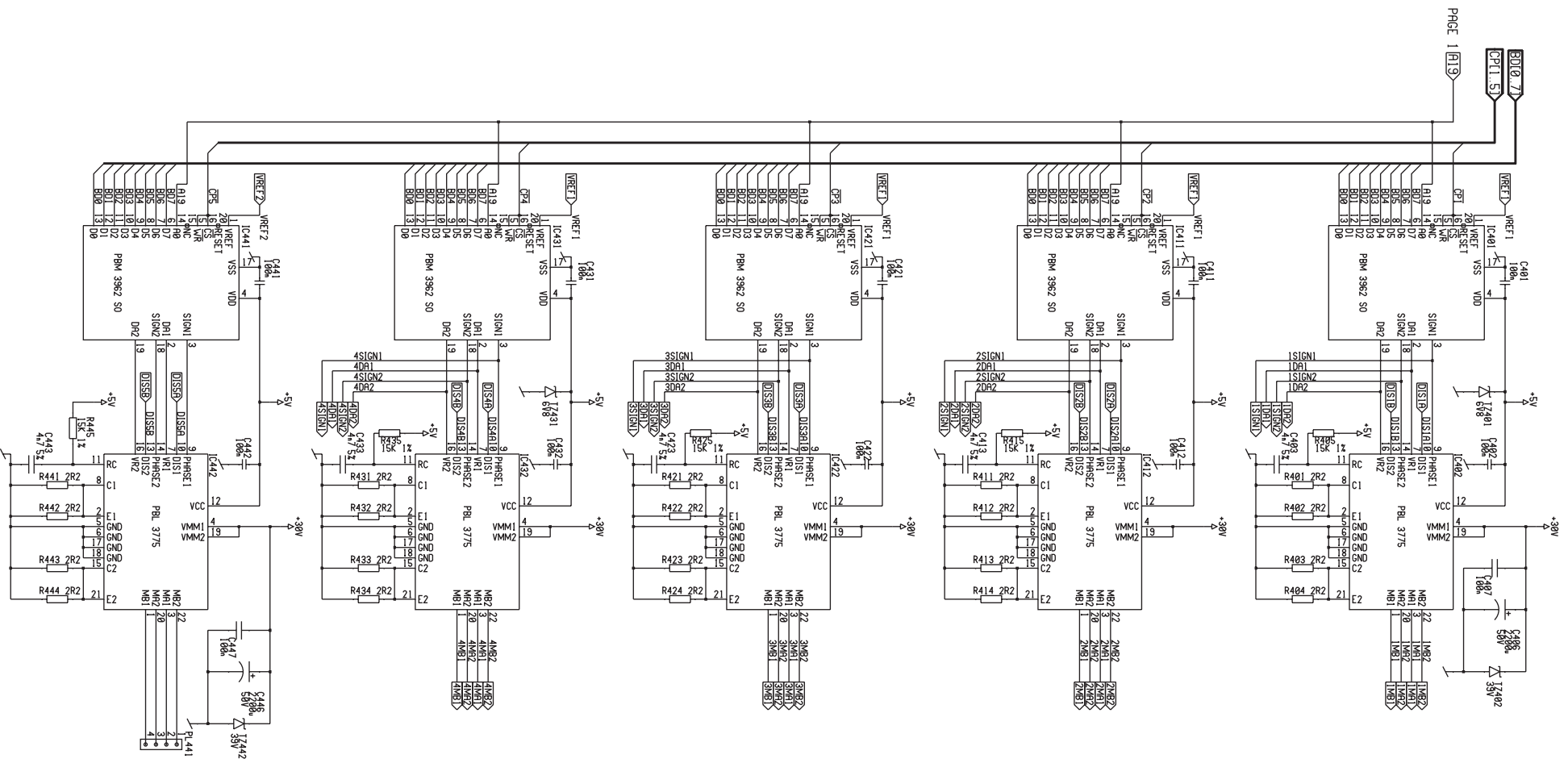


PRODUCT		ENG	
MAC600		Martin Professional A/S	
CPU BOARD		REVISION REV	PAGE 2 OF 6
NAME 811192.SCH / 101192A.PCB		DRAWN BY BH	
		DATE 15/4/97	TIME 11:30

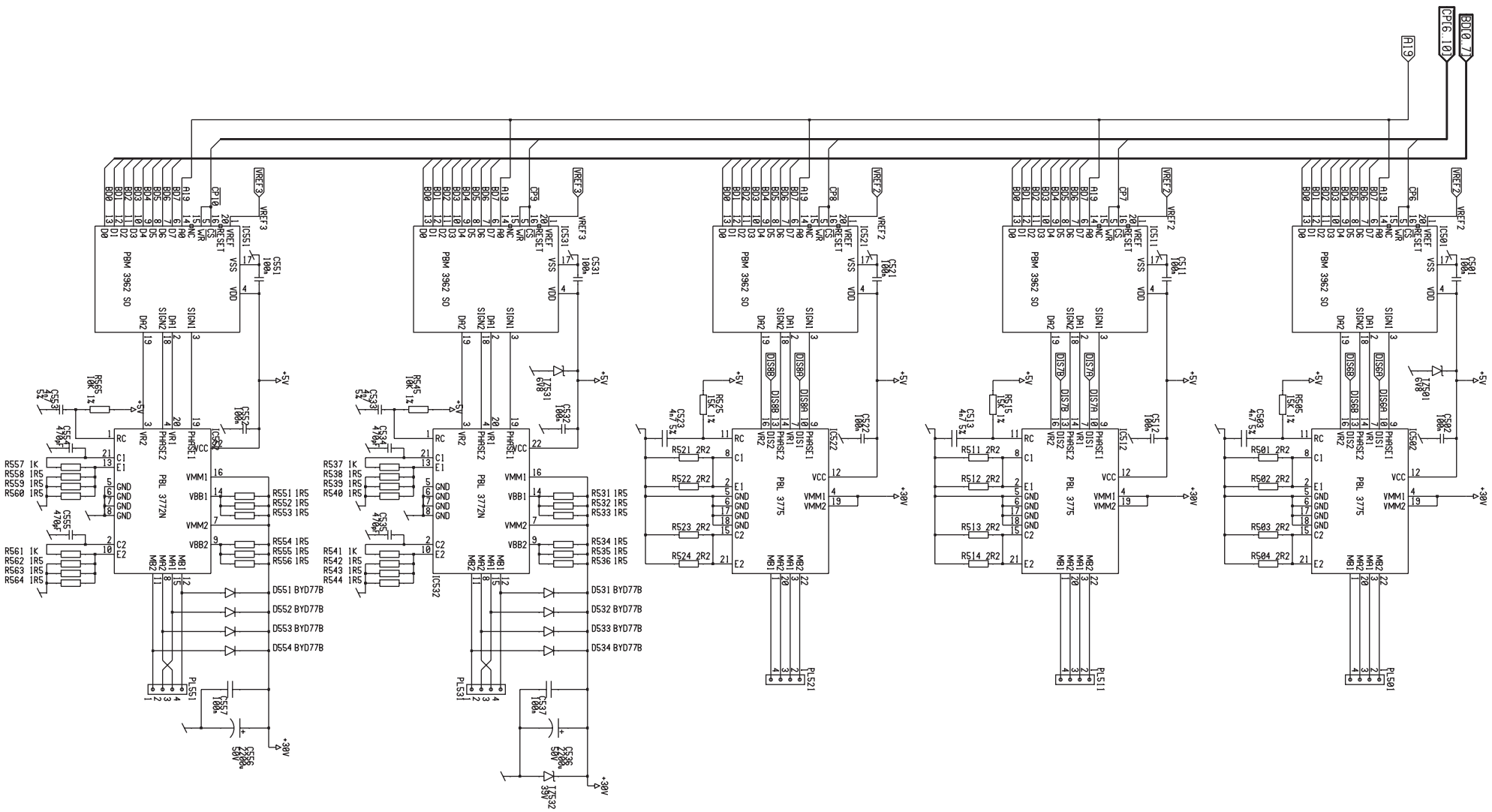


PRODUCT  
**MAC600**  
 CPU BOARD  
 NAME  
 811193.SCH / 101192A.PCB

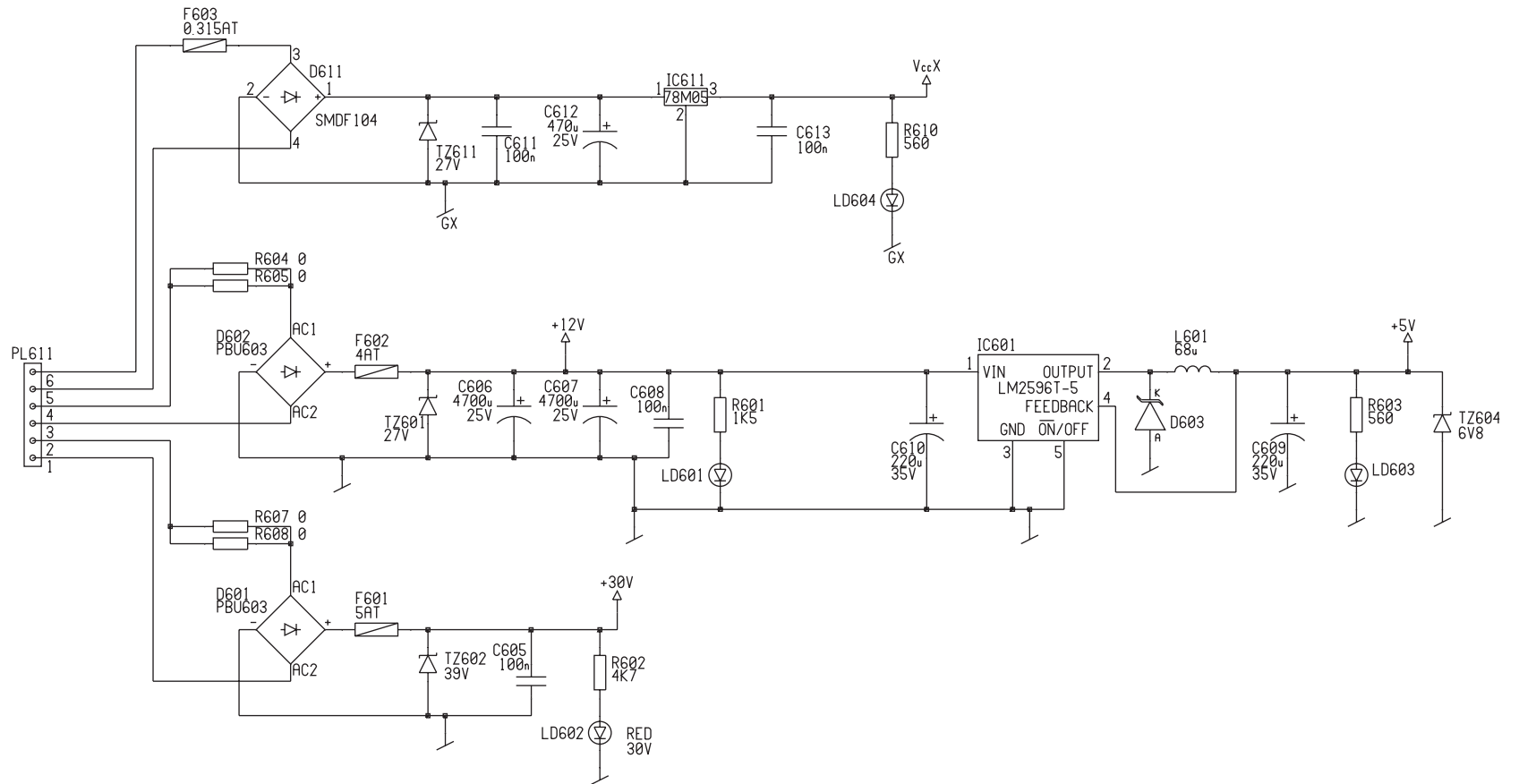
ENG: **Martin Professional R/S**  
 REVISION REV PAGE 3 OF 6  
 DRAWN BY BH  
 DATE 15/4/97 TIME 11:30



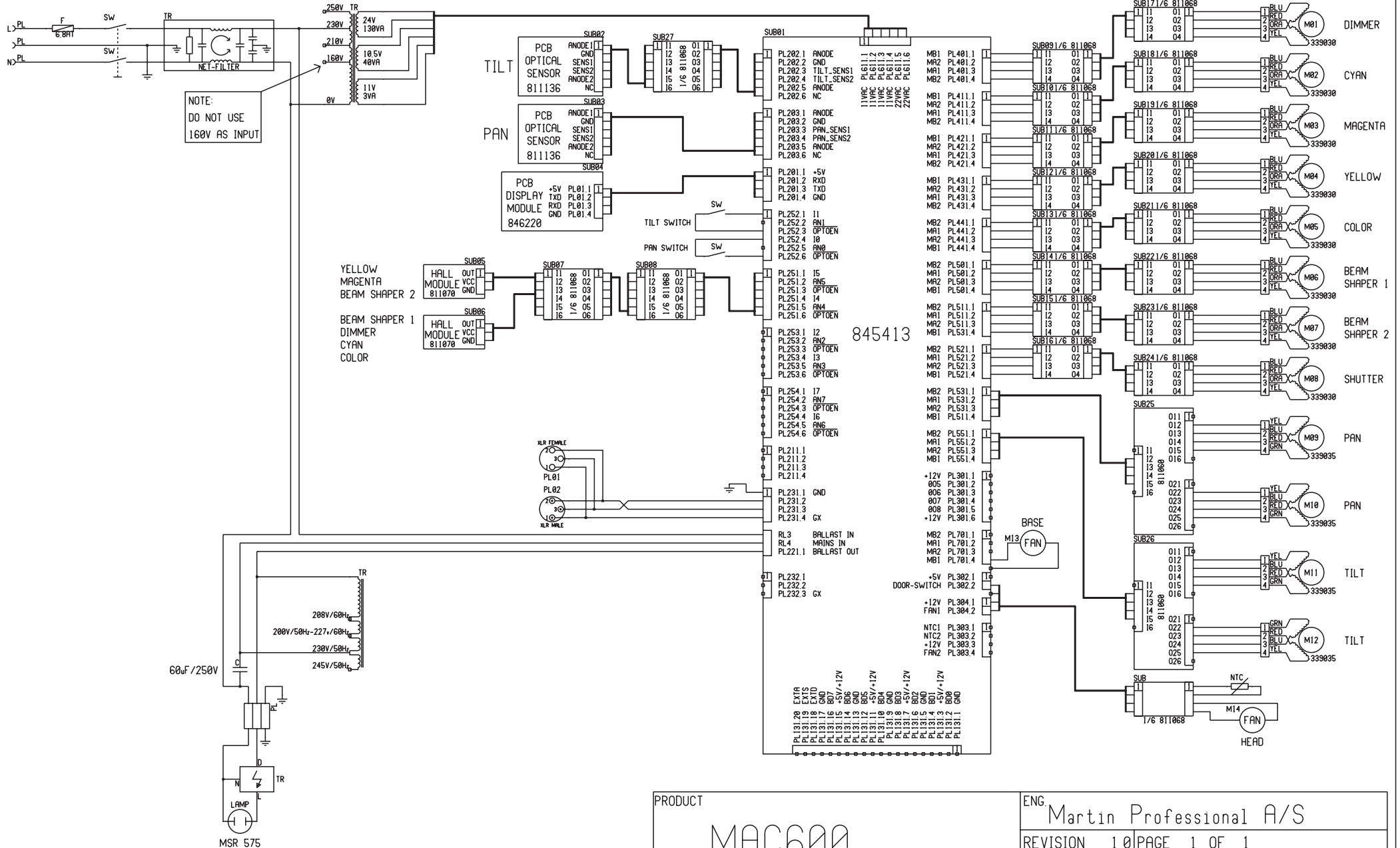
PRODUCT	MAC600	DATE	15/4/97
NAME	uSTEP DRIVER BOARD	TIME	11:30
REV	811193 SCH / 101192A.PCB		
DESIGNER	Martin Professional R/S		
REVISION	REVISION REV PAGE 4 OF 6		
DRAWN BY	BH		



PRODUCT	MPC600	ENC	Marlin Professional R/S
	STEP DRIVER BOARD	REVISION REV	PAGE 5 OF 6
NAME	811193 SCH / 101192A.PCB	DRAWN BY	BH
		DATE	15/4/97
		TIME	11:30



PRODUCT		MAC600		ENG.		Martin Professional A/S	
		CPU BOARD		REVISION REV	PAGE	6	OF 6
NAME		811193.SCH / 101192A.PCB		DRAWN BY BH			
				DATE 15/4/97	TIME 11:30		



PRODUCT	MAC600		
NAME	845320.SCH	ENG	Martin Professional A/S
		REVISION	1.0 PAGE 1 OF 1
		DRAWN BY	BH
		DATE	28/01/99 TIME 15:57